

Flushing tray
INSTRUCTIONS FOR USE

Dear customers

Dear customers
Thank you for purchasing our product.

This booklet explains how to use flushing tray.
Before using flushing tray, carefully read the operating instructions and make sure to use the product correctly.
Using the product without reading these instructions may lead to an accident.

For easy access to the information contained herein, keep this booklet at hand and review it as needed.

If you have any questions regarding the operating instructions or this product, contact your local authorized Belmont dealer. If you find any dirt on or damage to the booklet and need a new booklet, report the catalog number indicated below to your local authorized Belmont dealer to order a new one.

This document describes the full version of the system. It may therefore cover components that are not included in the system you purchased.

2022-09 (2nd edition)	
REF	1E092EBE

Dear customers	2
1 Safety consideration	
1-1 Risk level interpretation	4
1-2 Safety precautions	5
2 Precautions for use	
2-1 Operating precautions	6
3 Product specifications	
3-1 Technical data	7
3-2 Name of each part	7
4 Operation	
4-1 Installing the flushing tray	8
4-1-1 Assembly of flushing tray	8
4-1-2 Set the flushing tray to the cuspidor bowl	10
4-2 Setting handpieces/syringe to flushing tray	11
4-2-1 Keep the doctor unit closer to cuspidor unit	11
4-2-2 How to set the handpieces/syringe into the flushing sleeves	11
4-3 Carrying out flushing	13
4-4 Removing the flushing tray	13
5 Maintenance and cleaning	
5-1 Tray body	14
5-2 Flushing sleeve	14
6 Accessories	
6-1 Accessories	15

1 Safety consideration

Precautions before use

1-1 Risk level interpretation

Make sure to carefully read the safety precautions and operating precautions and use the product correctly.

These precautions are intended to ensure the safe use of the product and prevent harm or damage to users or other people. According to the magnitude of harm and damage and the degree of urgency, an incident that may be caused by misuse of the product is classified into one of the following categories: CONTRAINDICATION, WARNING, and CAUTION.

All of these categories are important for safety. Always follow the instructions provided.

We assume no responsibility for any accident due to failure to follow the safety precautions or operating precautions even in the event of harm or damage to users or other persons.

In such case, users or other persons who use the product without observing the safety precautions and operating precautions are responsible for any harm or damage incurred.

The graphical symbols are explained in detail below.

Once you have fully understood this explanation, read the text.

Classification by degree of harm or damage and urgency

CONTRAINDICATION

Use of the product without regard to this indication will create a hazardous condition that may result in death or serious injury.

WARNING

Improper handling of the product without regard to this indication will create a hazardous condition that may result in death or serious injury.

CAUTION

Improper handling of the product without regard to this indication will create a potentially hazardous condition that may result in moderate or slight injury or property damage.

The following graphical symbols are used to explain your responsibilities for using the product safely:

Graphical symbols for prohibited activity



Generally prohibited activity

Graphical symbol for mandatory instructions



Instructions for mandatory actions in general

1 Safety consideration

1-2 Safety precautions



CAUTION

Use and maintenance
of the product



Do not hit or rub the product.

This may cause damage to the cover or operational failure.

Read the accompanying documents for each device.

Before use, make sure to carefully read the instructions for use supplied with each device and use the device correctly.

2-1 Operating precautions

Immediately wipe off any drug solutions adhered to the product.

Otherwise, they may cause deterioration or discoloration.

Do not apply heat to the product.

This may cause deterioration or discoloration.

Discoloration of resin

Resin materials are used in external components of the product.

Carefully selected materials are used; however, discoloration may occur for reasons such as natural deterioration or the adherence of drug solutions.

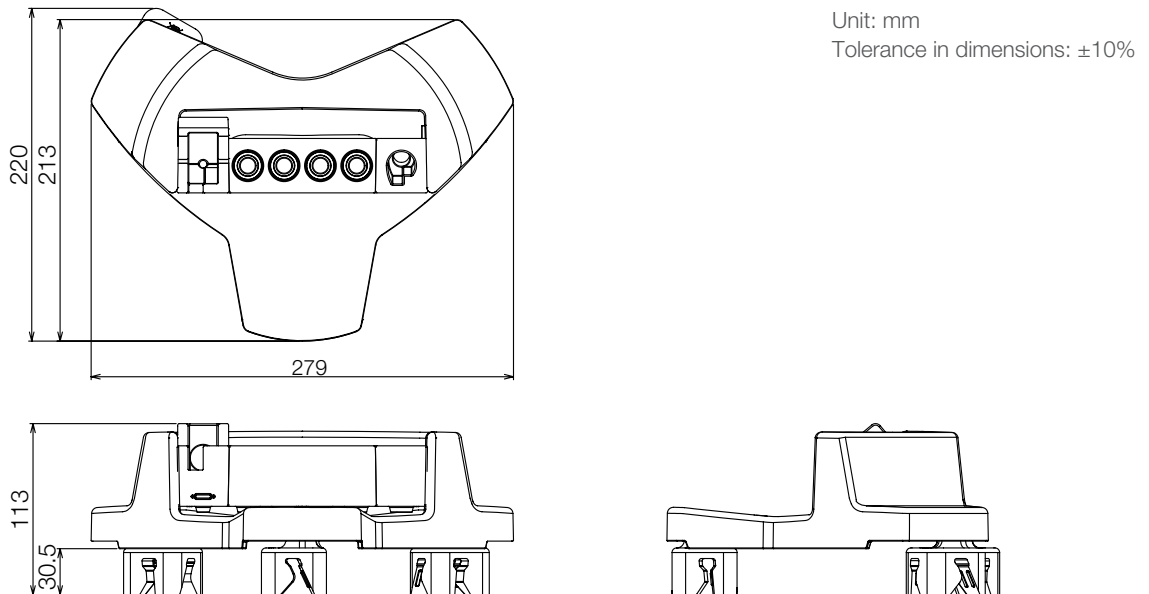
To ensure use of the product for as long as possible, immediately wipe off any drug solutions adhered and avoid sunlight.

3 Product specifications

3-1 Technical data

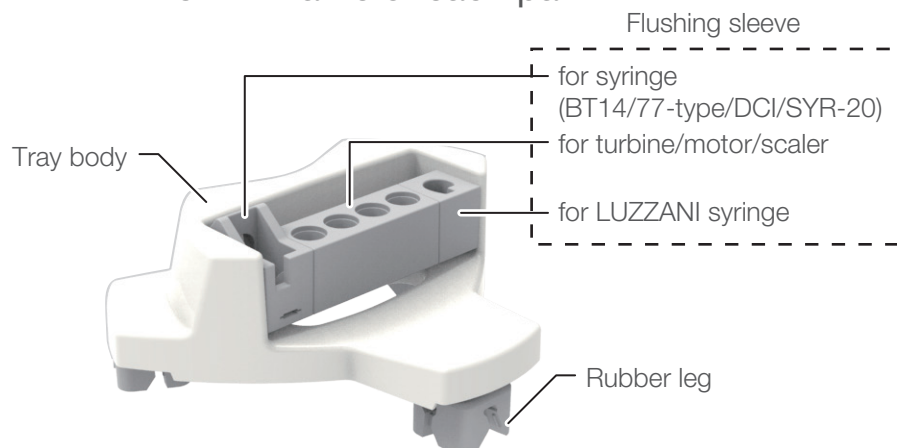
Model	AZ-ER-FT* (EURUS S1/S3/S4/S6/S8) AZ-CIE-FTBD7 (CIERTO) AZ-PRE-FT* (PRECIA) AZ-V3L-FT* (Voyager III) AY-PAS-FT* (tbCOMPASS) (* represents single or multiple strings or numbers.)
Weight	700g
Usage environment	Temperature 0°C to 40°C Humidity 10% to 95% (No condensation) Atmospheric pressure 700 to 1060 hPa
Transportation/storage environment	Temperature -20°C to 70°C Humidity 10% to 95% (No condensation) Atmospheric pressure 700 to 1060 hPa
Adaptation to high-oxygen environment	The product is not suitable for use in a high-oxygen environment.

Dimensional drawing (standard values are provided)



The specification is subject to change without notice.

3-2 Name of each part



Flushing is a function for draining retained water in the unit water line and carry out the treatment with clean water. It is also effective to prevent clogging of the handpiece/syringe water line.

It is recommended to carry out the flushing before starting the work every morning.

4-1 Installing the flushing tray

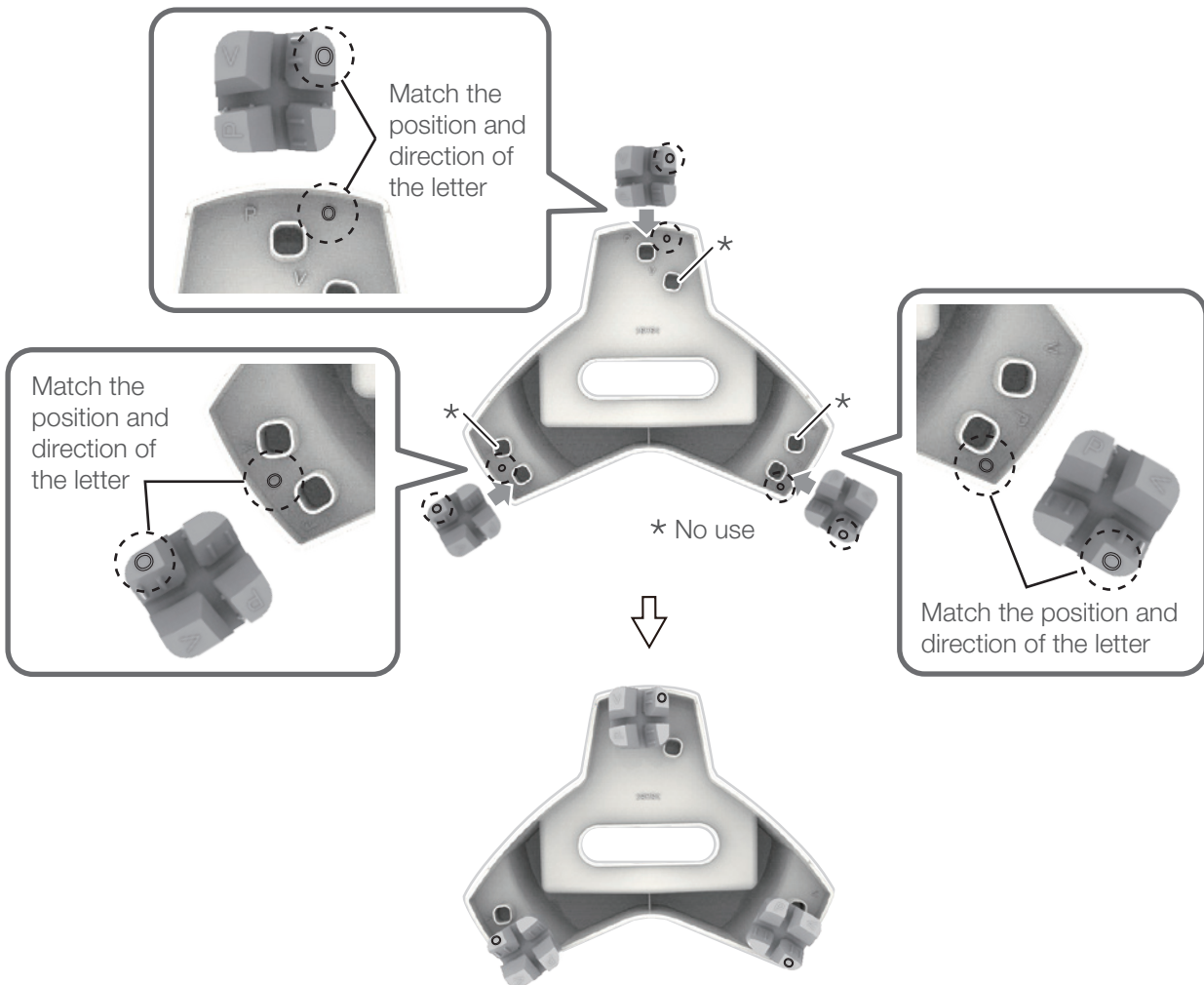
4-1-1 Assembly of flushing tray

1. Attaching the rubber legs to the flushing tray body

Depending on the model to which the flushing tray is attached, the positions of the legs attached differs.

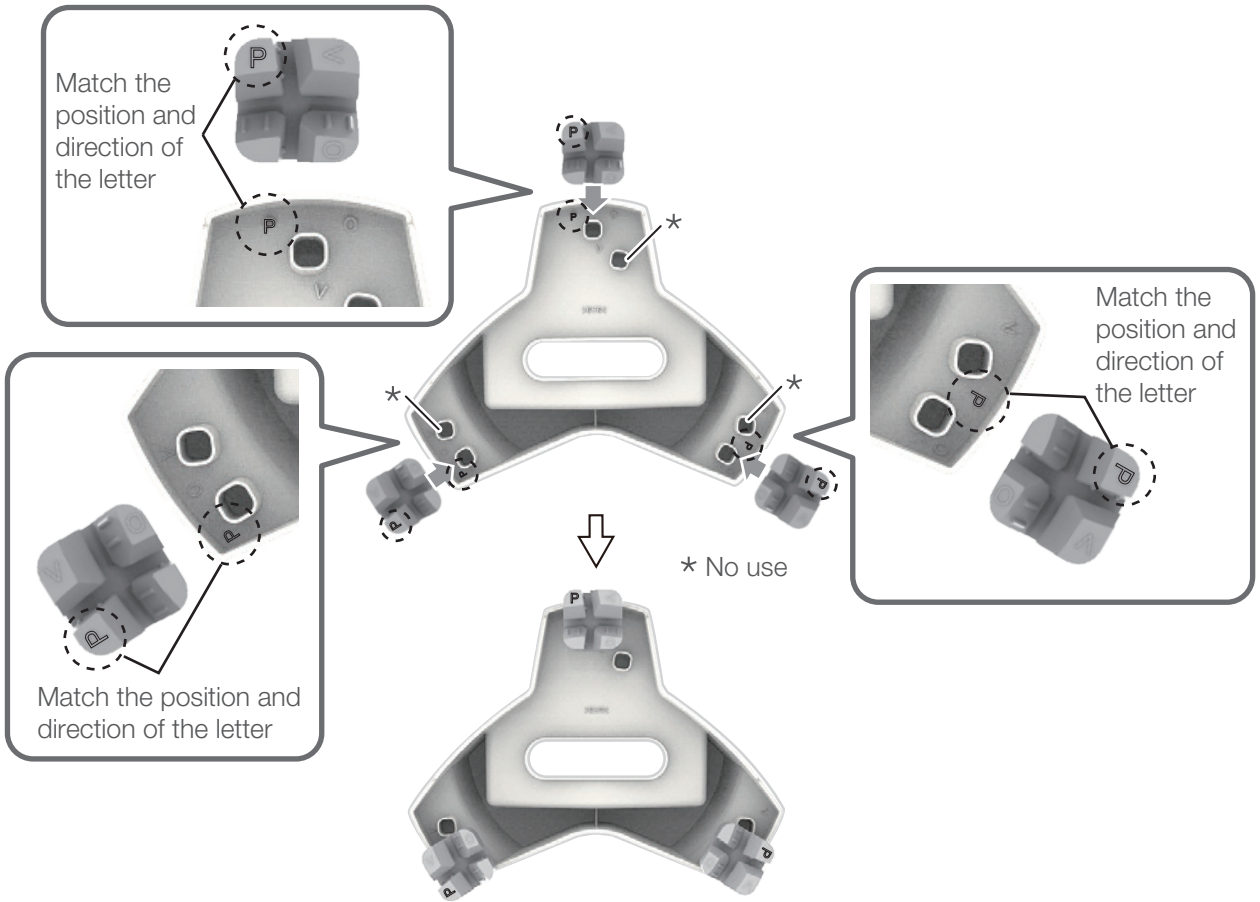
Attach the legs and tray to match the position and direction of the letters V, P, and O on the tray.

Letter O for EURUS / CIERTO / tbCOMPASS

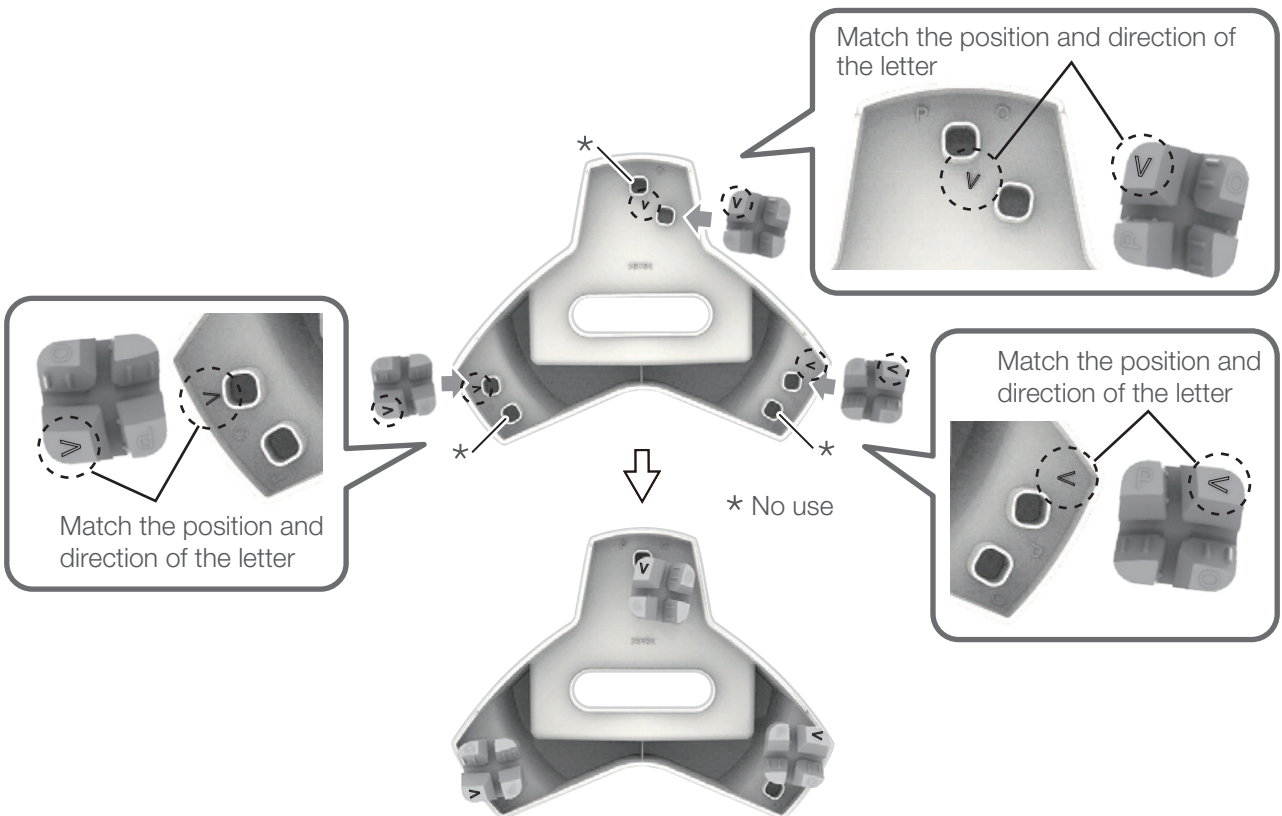


4 Operation

Letter P for PRECIA



Letter V for Voyager III

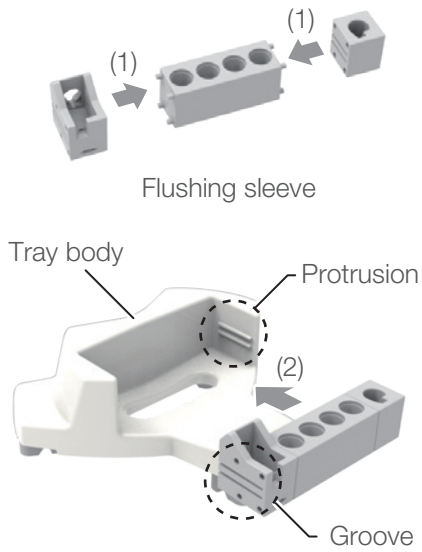


4 Operation

2. Attaching the flushing sleeve to the tray body

- (1) Assemble the flushing sleeves.
- (2) Attach the flushing sleeve by sliding the grooves on its both ends onto the protrusions located at the inner side of tray body.

Securely attach the sleeves into the tray body.



4-1-2 Set the flushing tray to the cuspidor bowl

Set the flushing tray assembled in 2-1-1 to the cuspidor bowl. Set the leg to grasp the edge of the bowl as shown in the left figure.



Top view



4 Operation

4-2 Setting handpieces/syringe to flushing tray

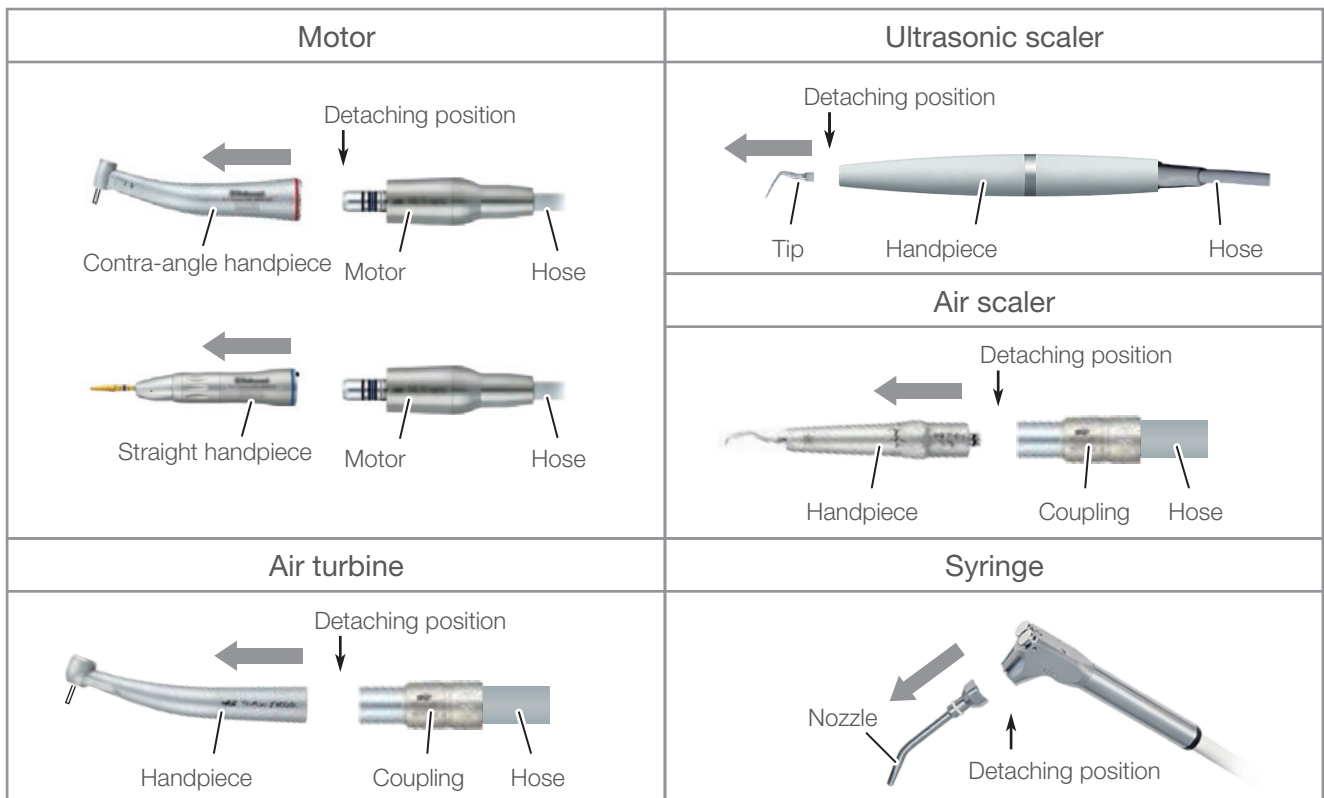
4-2-1 Keep the doctor unit closer to cuspidor unit

When setting the handpieces/syringe on the cuspidor, set the chair to the lowest position and keep the doctor unit closer to the position not to be strained when the handpieces/syringe are set.

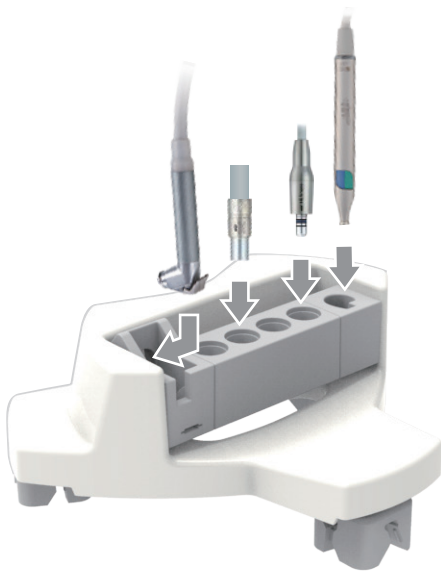
4-2-2 How to set the handpieces/syringe into the flushing sleeves

Preparing handpieces/syringe for flushing

Set the right side of the detaching position in the flushing sleeves.






4 Operation



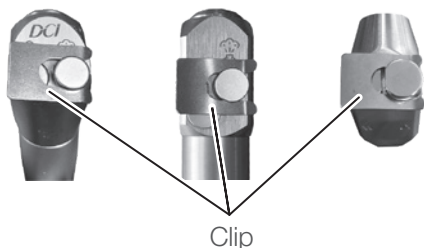
Confirm that the handpieces/syringe are inserted correctly with the handpieces/syringe placed upside down.

Insert the handpieces securely.

Sleeve shape	Applicable handpiece/syringe	
	Syringe	LUZZANI 3WAY (MINI LIGHT) LUZZANI 6WAY (MINI LIGHT) LUZZANI 3WAY (MINI MATE)
	Air turbine/Air scaler Motor Ultrasonic scaler	NSK DA-385LED BIEN AIR UNIFIX (WITH LIGHT) NSK NBX NSK NLX plus NSK NLX nano BIEN AIR MX2 (DMX3) BIEN AIR MCX NSK DA-281 NSK EX-203 BIEN AIR AQUILON 830 NSK VARIOS VS170 SCALER SATELEC Xinetic SATELEC SP4055 NEWTRON EMS NO PAIN NSK VARIOS VS170 LUX SCALER DENTSPLY CAVITRON SCALER (TYPE G139) SATELEC SP4055 NEWTRON SLIM
	Syringe	BT14 3WAY DCI 77-type 3WAY SYR-20 3WAY

Refer to the table on the preceding page "Preparing handpieces/syringe for flushing".

DCI standard type DCI straight type 77-type



Set 77-type/DCI into the sleeve after attaching the clip contained in the package.

The clip need to be attached only for the DCI/77 syringes.

Attach the clip above the flushing tray.

The clip may push the water lever / button and the water will come out.

CAUTION

Be careful not to get injured by the rim of the flushing clip.

Do not move the doctor unit when the handpieces/syringe are set in the flushing tray.

The hose may be pulled and the handpieces/syringe, flushing tray, or bowl may fall.

4-3 Carrying out flushing

Refer to the IFU of each product for selecting the flushing method, carrying out and operation setting.

After flushing, wipe the handpiece/syringe with a soft cloth to remove excess moisture.

When picking up the handpiece/syringe after flushing, remaining air may be discharged. This is normal.

4-4 Removing the flushing tray

Remove the flushing tray from the cuspidor bowl when flushing is completed.

Return the handpieces to holder before removing the flushing tray.

CAUTION

Hold the bowl securely when removing the flushing tray. The cuspidor bowl can be easily detached. Do not drop it. It may cause damage or injury. (only EURUS)

5 Maintenance and cleaning

5-1 Tray body

Wipe the surface with a soft cloth or paper towel moistened with FD366 manufactured by Dürr, and then wipe it with a dry cloth.

If the exterior is excessively dirty, moisten a soft cloth with water containing approx. 10% neutral detergent, and wipe the exterior with the cloth. Then, wipe it with a cloth moistened with water and then dry it completely with a dry cloth.

Never use any of the products listed below:
Volatile chemicals such as paint thinners, butanol, isopropyl alcohol, nail-varnish remover, gasoline, or kerosene; acid, alkaline, or chlorine detergents; highly-corrosive disinfectants (povidone-iodine such as Iodine, sodium hypochlorite, etc.); abrasive polishing wax or abrasive sponge.

Do not use a brush or scrubber during maintenance. All of these may leave scratches and/or ingrained dirt.

5-2 Flushing sleeve

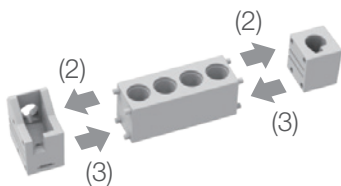
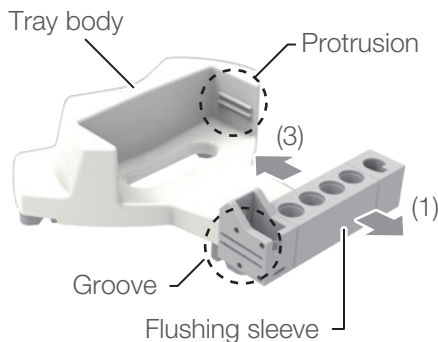
Wipe it well with a soft cloth moistened with FD366 manufactured by Dürr.

Rinse the corners with clean water (tap water) using a cleaning brush or tooth brush.

[Procedures for detaching/reattaching]

1. Pull the flushing sleeves towards you (1)
2. Disassemble the flushing sleeves (2)
3. To reattach them, reassemble the flushing sleeves, and attach the flushing sleeve by sliding the grooves on its both ends onto the protrusions located at the inner side of tray body. (3)

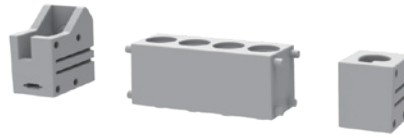
Securely attach the sleeves into the tray body.



6-1 Accessories

Instructions for Use (this document)

Flushing sleeve



The flushing sleeves differ according to the selected specifications.

Rubber leg (3 pieces)



Clip for built-in flushing
(Flushing sleeve for syringe:BT14/77-type/DCI)





TAKARA BELMONT CORPORATION

2-1-1, Higashishinsaibashi, Chuo-ku, Osaka, 542-0083, Japan

TEL : +81-6-6213-5945

FAX : +81-6-6212-3680

