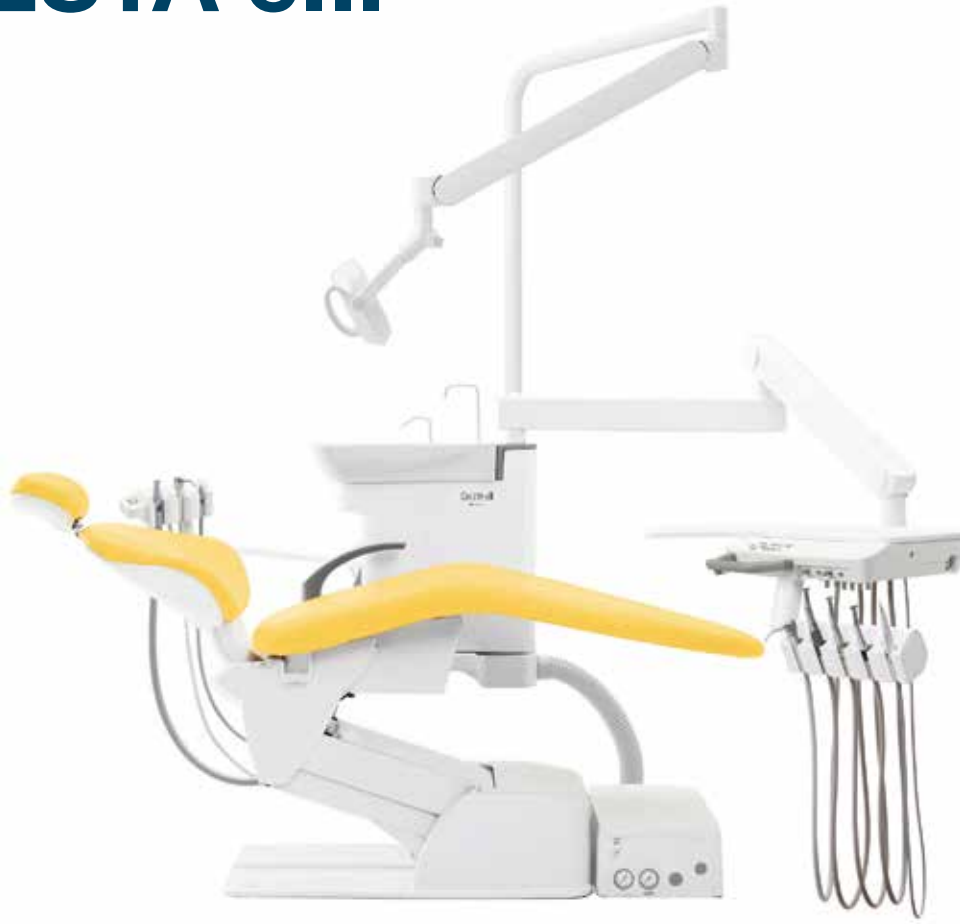


# CLESTA eIII SUPPORT BOOK

# CLESTA eIII



## VARIATION



### Holder type

- CLESTA eIII Unit
- CLESTA eIII Chair
- Over Arm Holder
- Unit Mounted LED Light



### Rod type

- CLESTA eIII Unit
- CLESTA eIII Chair
- Over Arm Holder
- Unit Mounted LED Light



### Holder type(Pedodontic chair)

- CLESTA eIII Unit
- CLESTA eIII Pedo Chair
- Over Arm Holder(Rod type is also available)
- Unit Mounted LED Light



### Cart holder type

- CLESTA eIII Unit
- CLESTA eIII Chair
- Cart Holder
- Unit Mounted LED Light

# BEST ENTRY MODEL FOR UNIVERSITIES

Since 2013, CLESTA eIII has been installed over 500 units in 27 universities.



# MADE IN JAPAN



Belmont Osaka Factory



Belmont Tokyo Factory

# SINCE 1921



Since 1921, Belmont provides high-quality products and service.

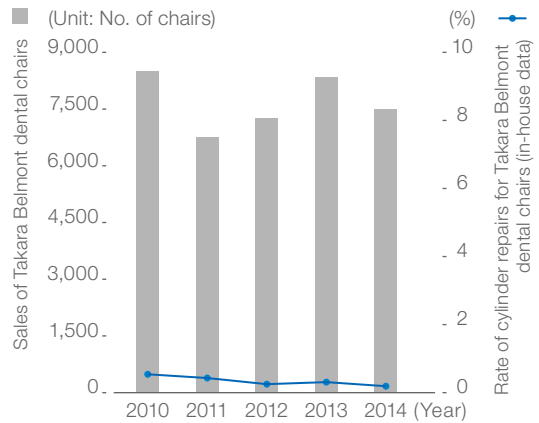
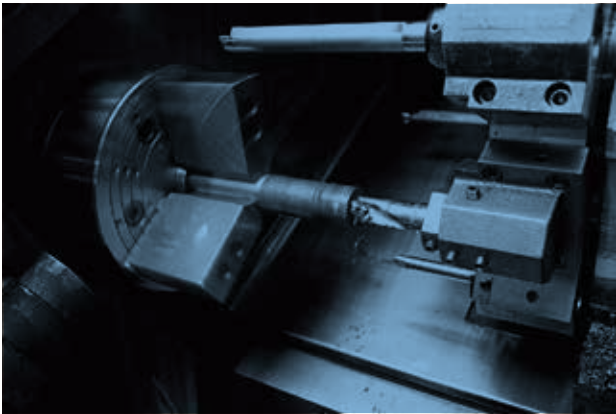
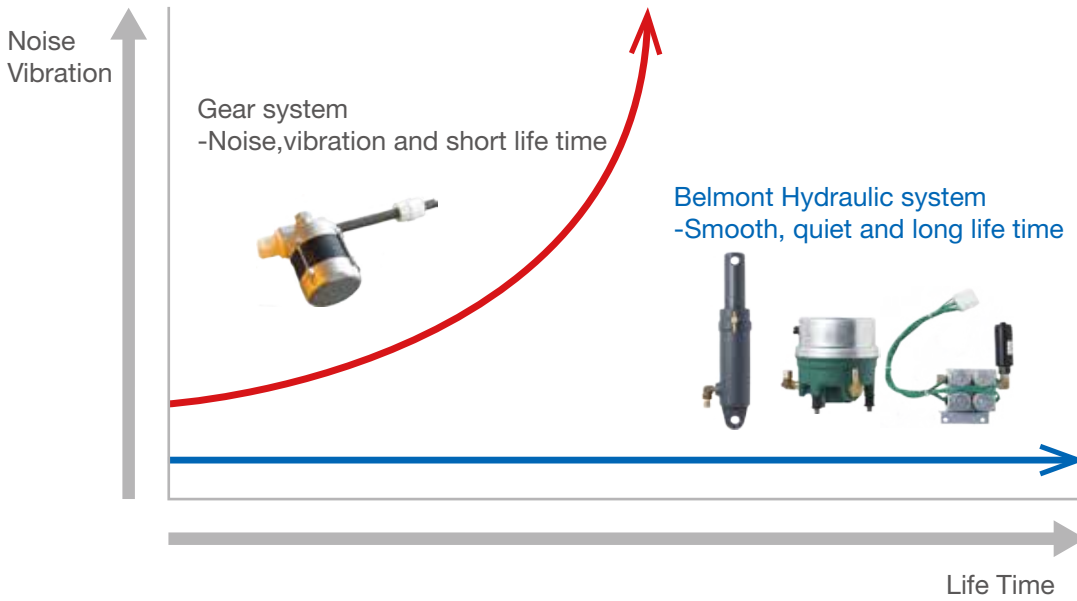


Highly trained workers handcraft the chair, unit and light.



# FOR LONG TIME USING

## Why Hydraulic?



The combination of made-in-Japan electro-hydraulic motor and high-performance cylinder adds up to consistently long-term performance

# DURABILITY

## Duration test

**10 year x 240 days x 15 patient x 3 moves = 108,000 moves**



Less trouble, less repair.  
Good for office where is located outside city  
service tech can not visit soon,

# IT'S SIMPLE

That's why it's friendly to everyone.

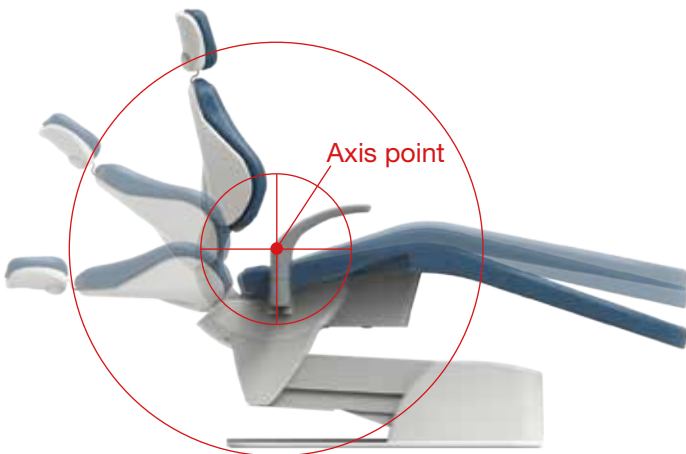


Simplified design provides ease of handling , enhancement of durability and reduces the complexity of repairment.

During a treatment, dentists can access any operation easily with the simplified membrane switch and the flexible balance arm/operators table for HP.

High durability helps to reduce defects and time to come there for repairing.

# AND ERGONOMICAL



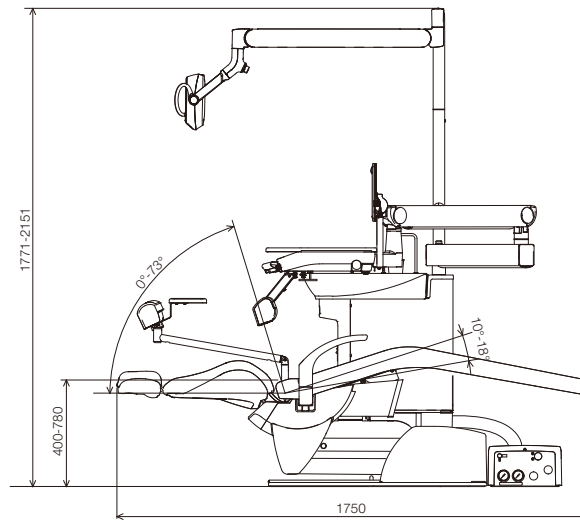
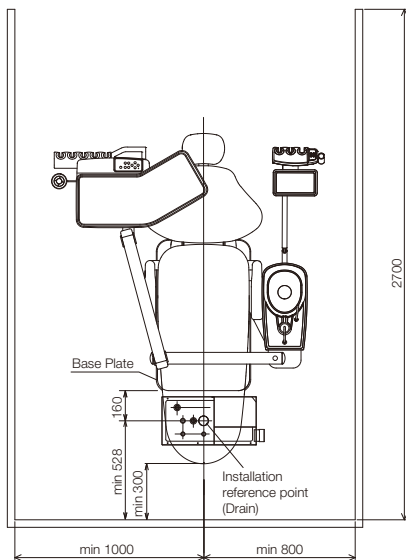
Thanks to axis mechanism of the chair, position of patient head and headrest synchlonized when reclining.

# COMPACT DESIGN

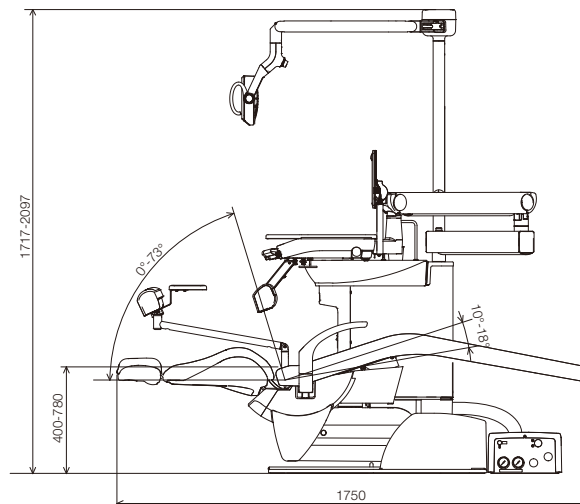
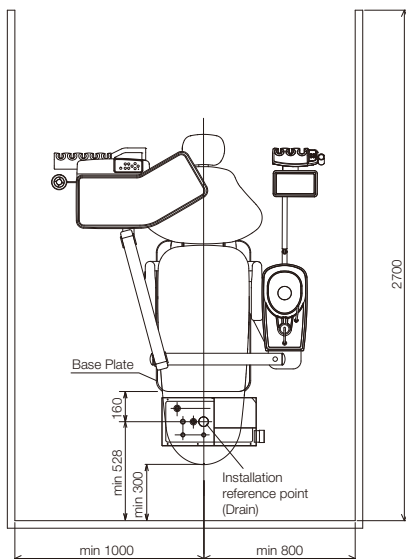
Fit to various type of operatory



## ■ CLESTA eIII -EURUS LIGHT-



## ■ CLESTA eIII -300 LED LIGHT-



 **Belmont**